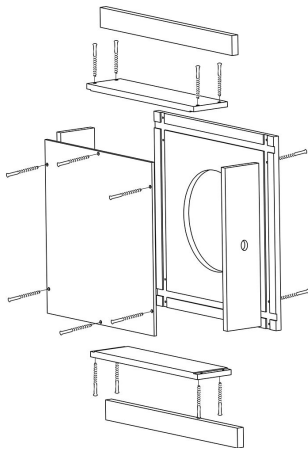
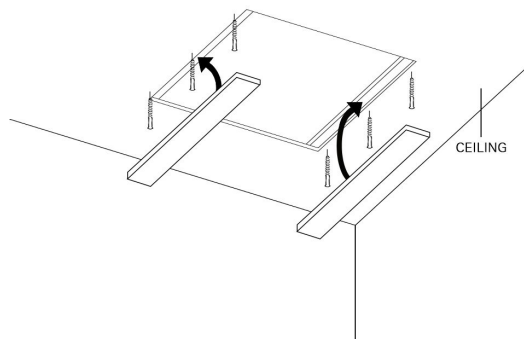


## INSTALLATION INSTRUCTIONS - LOXONE SPEAKER BACK BOX

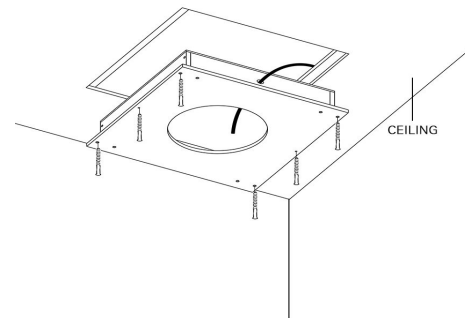
Type of construction: Suspended Ceilings



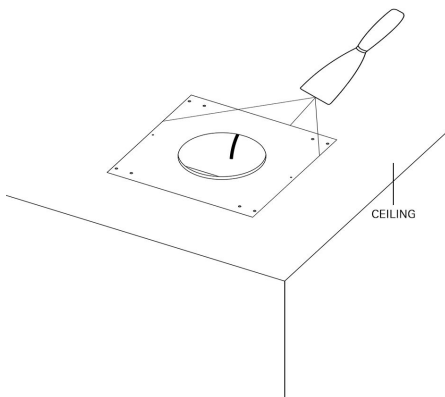
1. Assemble your Speaker Back Box



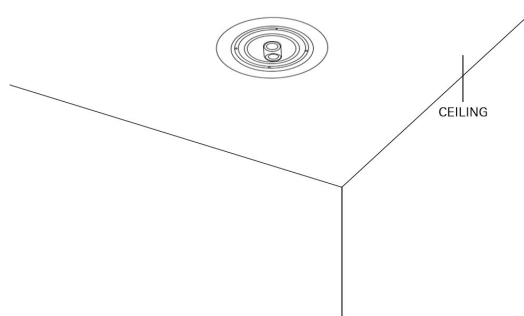
2. Fix 2 battens for mounting



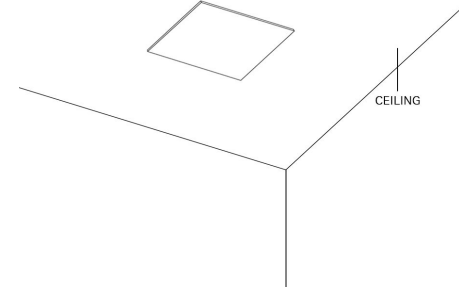
3. Mount Speaker Back Box - Remember the cable



4. Fill gaps and screw holes



5. Mount Loxone Speaker



6. Fit cover of your choice



Now relax and listen to your favourite music